

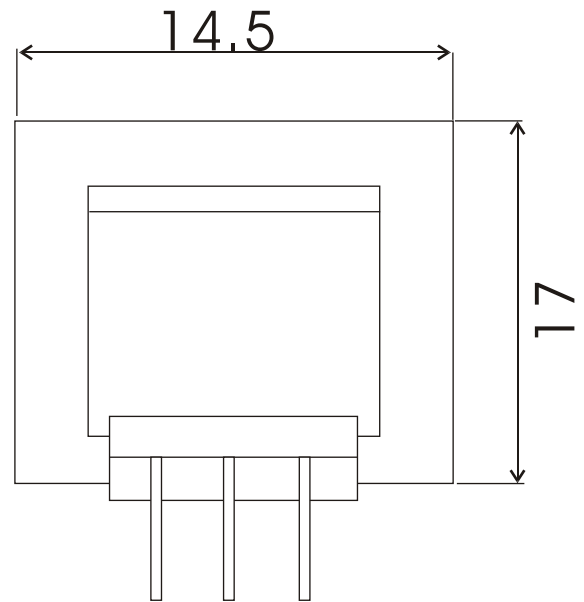
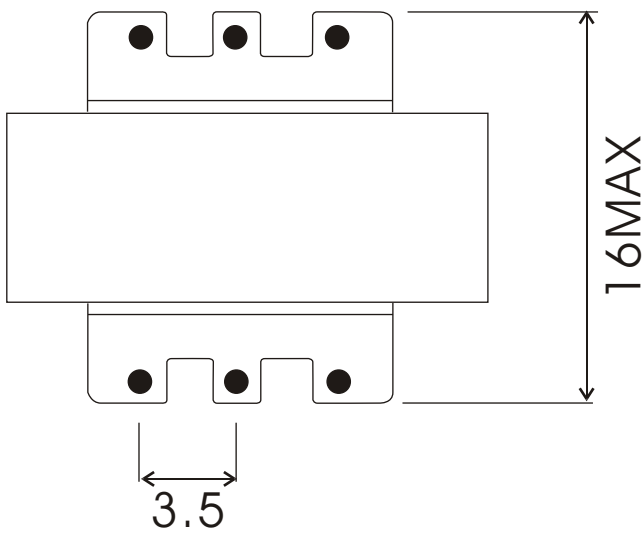
HIGH FREQUENCY TRANSFORMERS (UNIVERSAL)

THE RELIABLE SOURCE/ROHS COMPLIANT

EI-14 series

UNIT:mm

Size: 14.5*14.5*17mm (6PIN)



Model Available:

Model	Input	Output	DCR	Power	Weight
YN92280	INDUCTANCE 1KHZ,0.25V	1-2:12.0mH, 2-3:12.0mH 4-5:1.40H, 5-6:1.6Min	1-2:8.4Ω, 2-3:8.9Ω 4-5:3.25Ω, 5-6:624.0Ω	1W	
YN03149	INDUCTANCE 1KHZ,0.25V	1-2: 7.3mH, 1-3:29.5mH 4-5: 750uH, 4-6: 2~3.5H	1-2: 6.6Ω, 1-3: 13.1Ω 4-5: 2.5Ω, 4-6:652.0Ω	1W	
YN08002	INDUCTANCE 1KHZ,0.25V	1-3: 6.5mH 4-6: 1.80H	1-3: 6.5Ω MAX 4-6: 300Ω MAX	1W	
YN08231	INDUCTANCE 1KHZ,0.25V	1-3: 3.5mH 4-6: 1.25H	1-3: 1.6Ω 4-6: 300Ω	1W	

Other Available incustom-made models and specification.

※ RoHS/UL recognized components.