

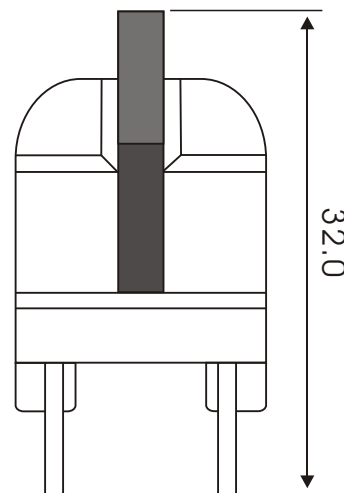
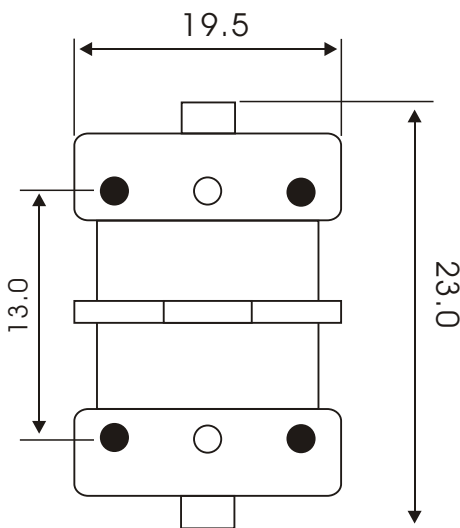
HIGH FREQUENCY TRANSFORMERS (UNIVERSAL)

THE RELIABLE SOURCE/ROHS COMPLIANT

UU-16 series

UNIT:mm

Size: 19.5*23*32mm (6PIN)



Model Available:

Model	Input	Output	DCR	Power	Weight
YN01366	INDUCTANCE 1KHZ,0.25V	1-3:8.0mH 4-6:8.0mH	1-3: 350mΩ 4-6: 350mΩ	1W	
YN03216	INDUCTANCE 1KHZ,0.25V	1-3: 5.2mH 4-6: 5.2mH	1-3: 150mΩ 4-6: 150mΩ	1W	
Other	Available incustom-made models and specification.				

※ RoHS/UL recognized components.