

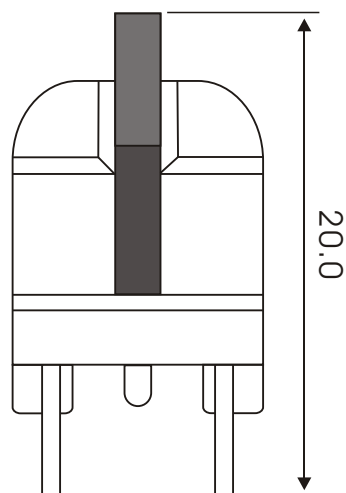
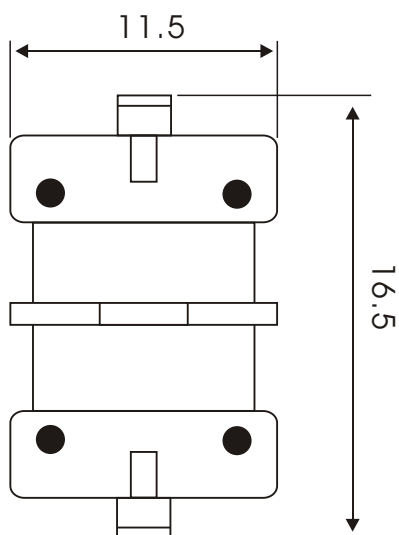
HIGH FREQUENCY TRANSFORMERS (UNIVERSAL)

THE RELIABLE SOURCE/ROHS COMPLIANT

UU-9.8 series

UNIT:mm

Size: 16.5*11.5*20.0mm (4PIN)



Model Available:

Model	Input	Output	DCR	Power	Weight
YN02140	INDUCTANCE 1KHZ,0.25V	1-2:25mH 3-4:25mH	1-2: 1.96Ω 3-4: 1.96Ω	1W	
YN04045	INDUCTANCE 1KHZ,0.25V	1-2:16mH 3-4:16mH	1-2: 1.6Ω 3-4: 1.6Ω	1W	
YN07109	INDUCTANCE 1KHZ,0.25V	1-2:38mH 3-4:38mH	1-2: 3.90Ω 3-4: 3.90Ω	1W	
Other	Available incustom-made models and specification.				

※ RoHS/UL recognized components.